

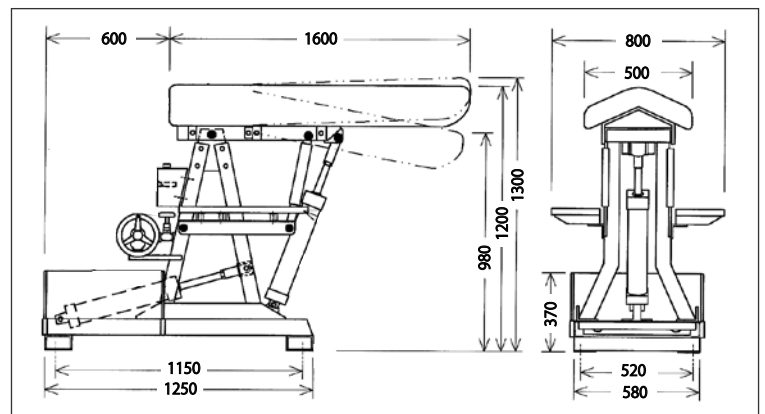
NFA2 Dummy Cow

- Hydraulic type



Height of saddle is adjustable according to the size of cow. Shock absorber provided in order not to injure a bull by a shock at the time of mounting, dismounting and ejaculating.

Dimensions	1,250 × 600mm
Weight	Approx. 50kg
Saddle height	980-1,200 mm
Saddle dimensions	1,600 × 500mm



Structure



FHK Fujihira Industry Co., Ltd.

6-11-6 Hongo Bunkyo-ku Tokyo 113-0033

Tel :+81-3-3812-2270 Fax: +81-3-3812-3663

<http://www.fujihira.co.jp>